

# Installing your upgrade processor

This processor upgrade kit contains the following:

- Pentium processor with heat sink attached
- Processor retention bracket
- Voltage regulator module (VRM)
- Electrostatic discharge wrist strap

---

***Caution:***

**Be sure to follow the static electricity precautions in your system documentation when opening the system case and installing the processor.**

---

To install the upgrade processor, you need to:

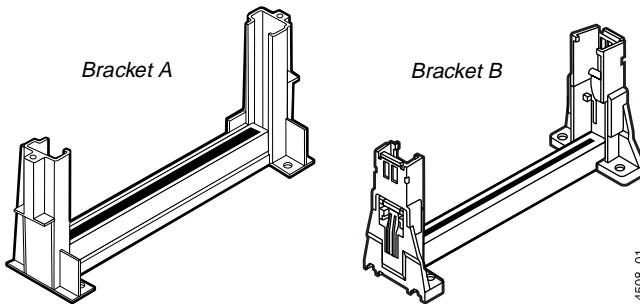
1. Determine which processor retention bracket is in your system. The processor retention bracket is attached to the system board and holds the processor in place.
2. Remove the currently installed processor.
3. In some cases, replace the retention bracket in the system with the one in the upgrade kit.
4. Install the upgrade processor.
5. Install the voltage regulator module if the processor you installed is the second processor in the system.
6. Set the processor speed jumper if you installed an Intel<sup>®</sup> Pentium<sup>®</sup> II processor.

See the sections that follow for instructions.

## *Determining which processor bracket is in your system*

To determine the type of processor retention bracket in your system:

1. Open the system case, following the instructions in your system documentation.
2. Locate the processor retention bracket. See your system documentation for the location of the bracket.
3. Determine which of the following retention brackets is installed in your system.



4508\_01

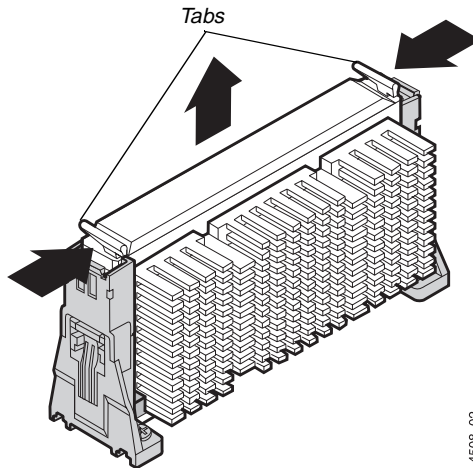
## *Removing the installed processor*

If bracket A is included in your system, remove the processor or terminator card installed on the system board by following the steps in your system documentation.

If bracket B is included in your system, follow these steps to remove the processor or terminator card.

**To remove a terminator card:** pull the card out of the processor slot. If necessary you can rock the card back and forth slightly to loosen it from the connector.

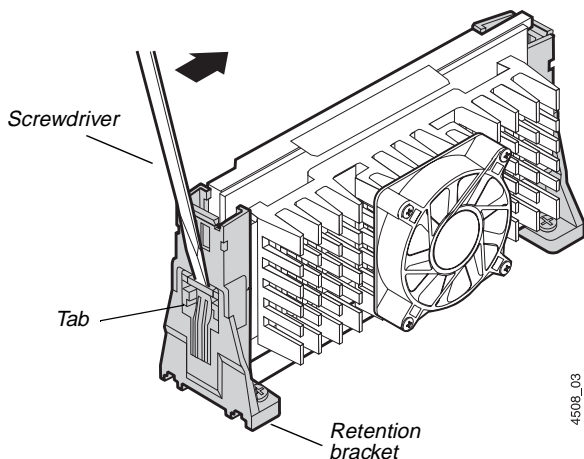
**To remove a Pentium II processor:** press in the two tabs at the top of the processor, and pull the processor up and out of the slot.



4508\_02

## To remove a Pentium III processor:

- A. Place the head of a flat-bladed screwdriver behind the tab on one side of the retention bracket.



- B. Push the screwdriver toward the processor. The tab that locks the processor in place opens. Lift up slightly on the side of the processor.
- C. Repeat the previous two steps for the other side of the processor.
- D. Pull the processor up and out of the slot.

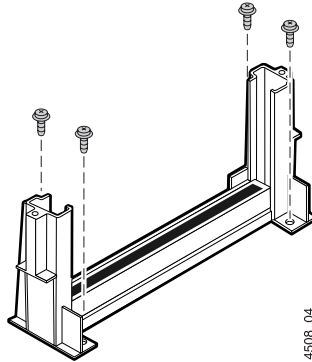
## *Replace the processor retention bracket*

If bracket A is attached to the system board, you must replace it with the bracket in the upgrade kit.

If bracket B is attached to the system board, you do not need to replace it. Bracket B is the same type of bracket shipped in the processor upgrade kit.

To replace bracket A with the bracket in the upgrade kit:

1. Remove the four screws that attach the processor retention bracket to the system board and lift the bracket off the board.



2. Place the bracket from the processor upgrade kit on the system board, aligning it with the four screw holes.
3. Attach the bracket to the system board with the four screws.

### *Installing the new processor*

To install the new processor:

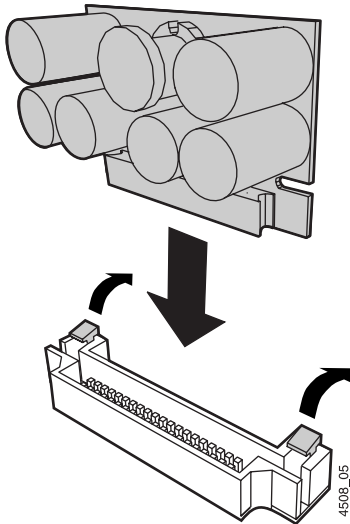
1. Align the new processor with the retention bracket slots and push the processor into the bracket until it snaps into place.
2. If you installed a Pentium II processor, press out on the two tabs at the top of the processor to secure the processor in place.

## *Installing a voltage regulator module*

If you installed a second processor, you need to install a voltage regulator module. The voltage regulator module for the first processor is built into the system board.

To install the voltage regulator module:

1. Open the socket clamps on the voltage regulator connector.  
(See the system board illustration in your system documentation for the location of the connector.)
2. Press the module into the connector until it is fully seated.  
Inserting the module correctly automatically closes and locks the clamps.




## *Setting the processor speed*

In your system, the speed of a Pentium III processor is set automatically. The speed of a Pentium II processor must be set manually.

Set the speed of a Pentium II processor by setting jumper JP22 on the system board, as shown in your system documentation.

Some of the server guides do not include information for setting the Pentium II 450 MHz processor. The following table supplements those guides.

<b>Pentium II</b>	<b>Bus Speed</b>	<b>CPU Speed Settings JP22</b>
450 MHz	100	

A MAN CPU BRACKET UPD R0 4/99



8504508