

# Installation and Assembly - Security Projector Mount for Gateway™ 210 Projector

Model: PJ-G210  
Reference Gateway 8008506



This product is intended for use with UL Listed products and must be installed by a qualified professional installer.

**Maximum Load Capacity: 20 lb (9.1 kg)**

**Read instruction sheet before you start installation and assembly.**



**WARNING** Installer must verify that the ceiling will safely support the combined weight of projector mount and projector.

**IMPORTANT! Be sure not to touch the projector while tightening the set screw on the ball and socket mount. This may cause the image to be misaligned when you let go.**

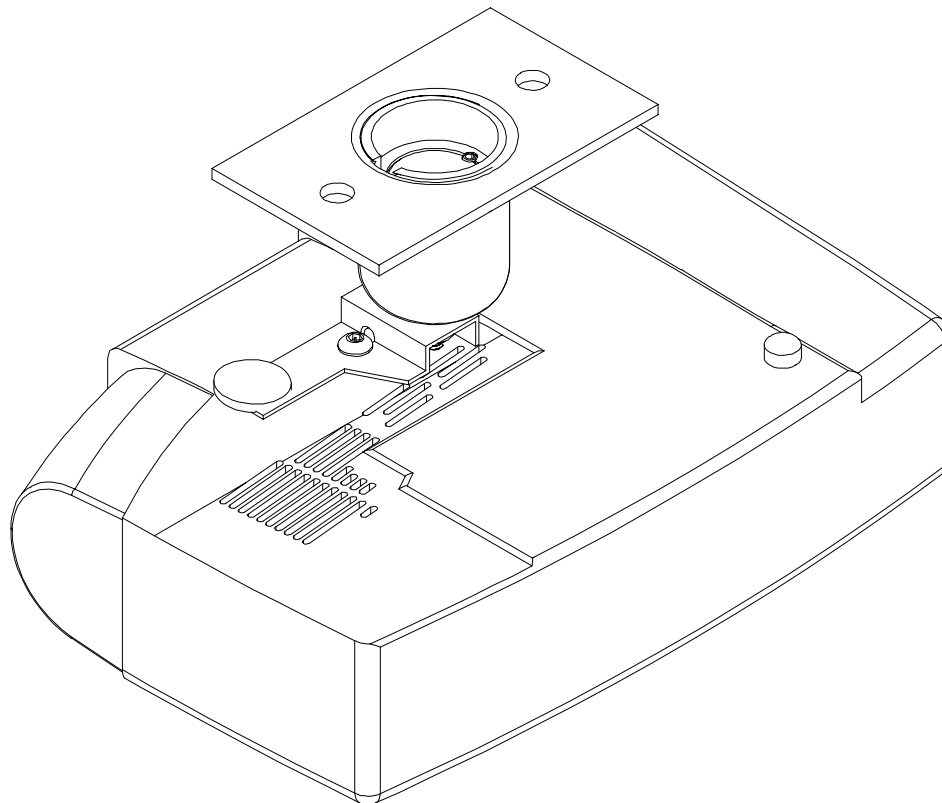
**IMPORTANT! Turn to the appropriate page for your application and ceiling condition.**

### Three Different Applications:

Flush Mount .....	step 3, page 5
Threaded Rod .....	step 4, page 5
Extension Column .....	page 6

### Installation Conditions:

To Wood Joist Finished Ceilings, Exposed Wood Joists, or Wood Beam Ceilings .....	page 3
To Concrete Ceilings .....	page 4

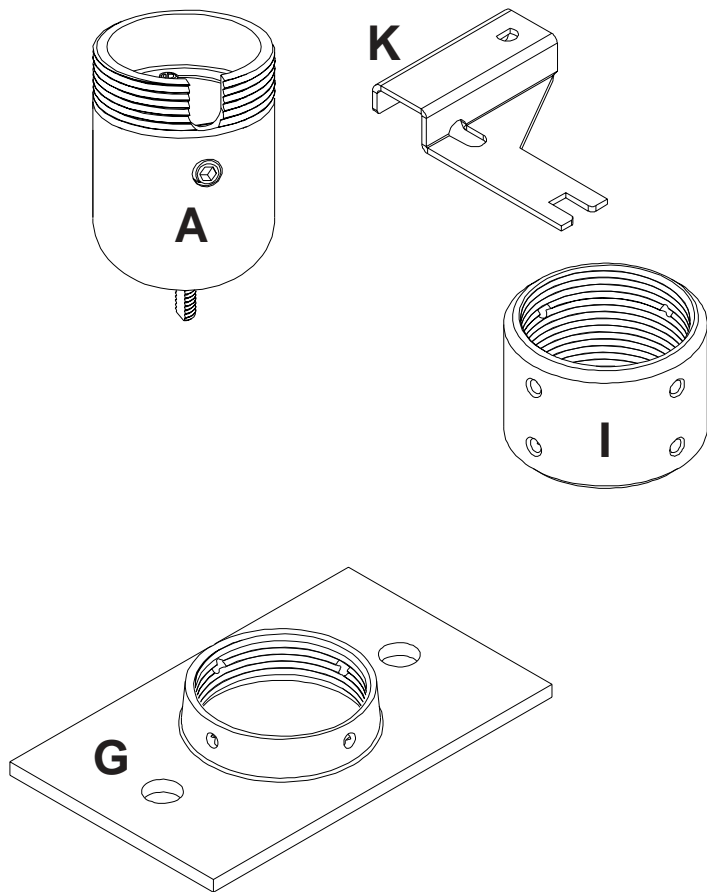


Before you start check the parts list to insure all of the parts shown are included.

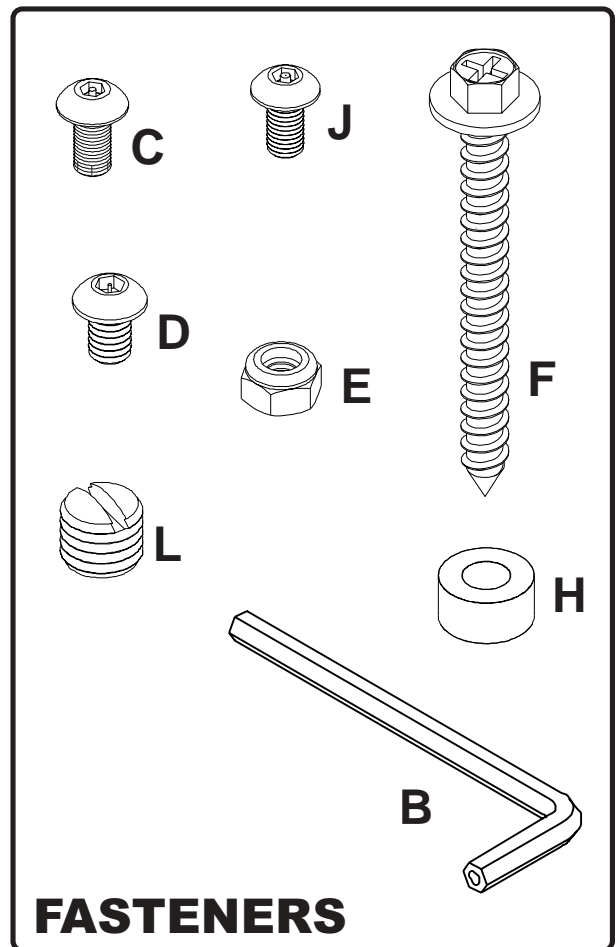
## Parts List

Description	Qty.	Part Number
A ball and socket assembly	1	055-0020
B 4 mm security allen wrench	1	560-9646
C M5 x .8 x 10 mm socket pin type F screw	1	520-1164
D 1/4 - 20 x 3/8 socket pin screw	1	520-1109
E 1/4 - 20 x 3/8 nylock nut	1	530-9413
F #14 x 2.5 phillips hex head wood screw	2	5S1-015-C03
G ceiling plate	1	580-1042
H .25" ID x .56" OD x .26 spacer	2	590-1050
I extension column connector	1	580-1013
J 10-32 x 3/8 socket pin screw	2	520-1084
K bracket	1	055-1483
L 10-32 x 3/16 slotted set screw	1	520-1187

For Missing Parts, contact customer service at 1-800-729-0307.



**Note:** Actual parts may appear slightly different than illustrated.



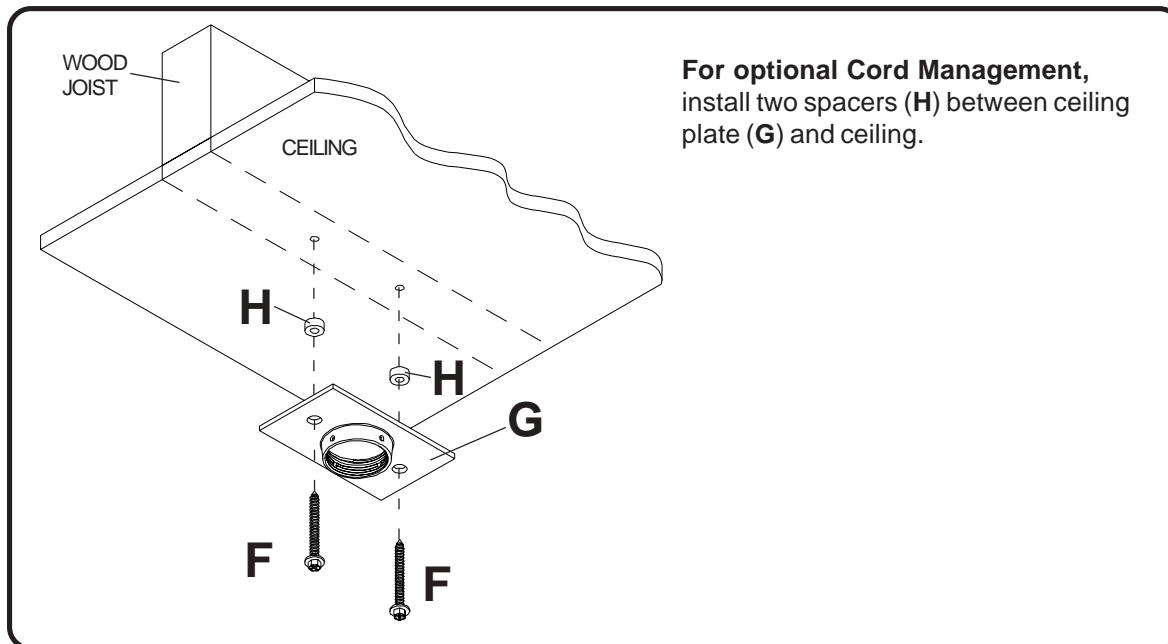
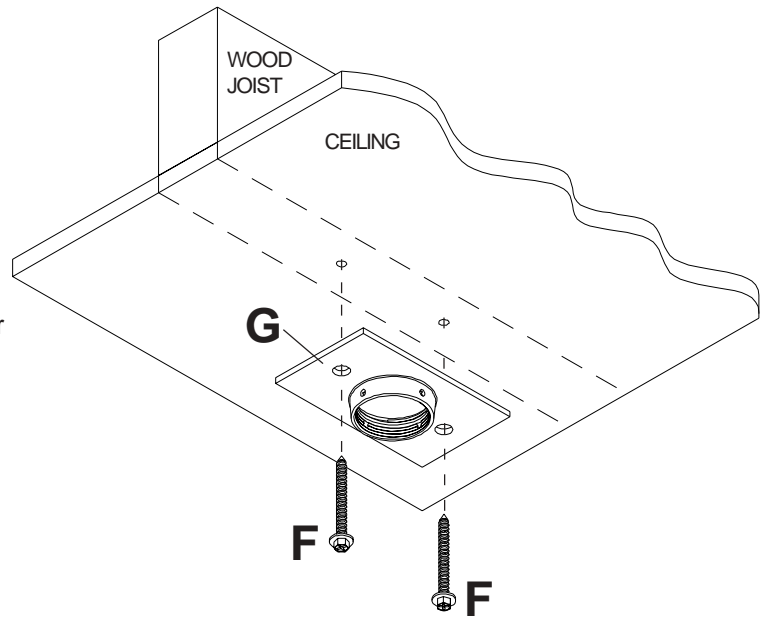
# Installation To Wood Joist Finished Ceilings, Exposed Wood Joists, or Wood Beam Ceilings

**1** *Warning:* It is the responsibility of the installer to verify that the ceiling will safely support the combined load of all attached hardware and components.

Drill two 5/32" (4 mm) dia. holes to a minimum depth of 2.5" (64 mm). Attach ceiling plate (G) with two #14 x 2.5" (6 mm x 65 mm) wood screws (F) as shown using 3/8" (10 mm) socket wrench. Tighten wood screws (F) so ceiling plate (G) is firmly attached.

*Warning:* Do not tighten with excessive force. Over tightening can cause stress damage to wood screws (F) greatly reducing their holding power. Tighten to 80 in • lb (9 N.M.) maximum torque.

**Note:** Be sure to drill holes into the joist center.



**For optional Cord Management,** install two spacers (H) between ceiling plate (G) and ceiling.

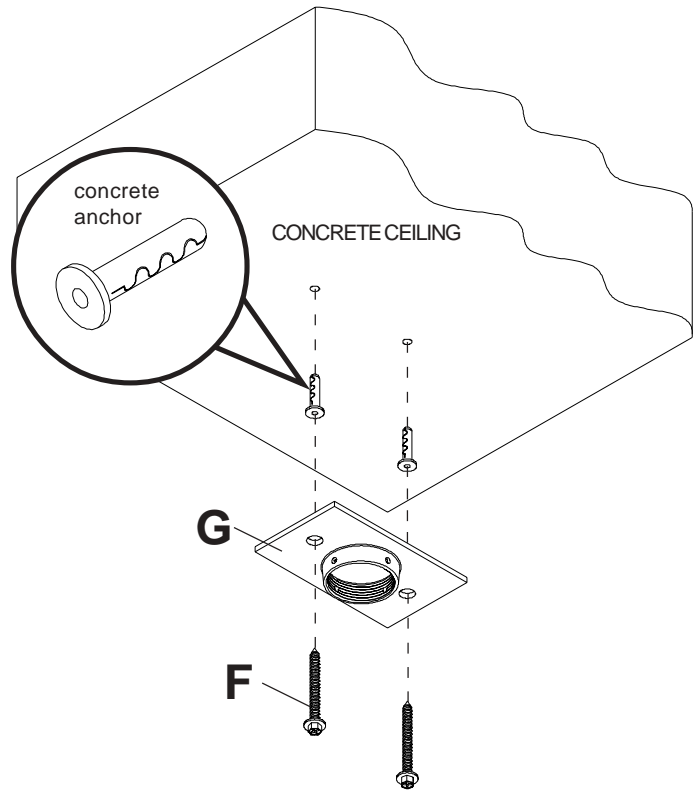
# Installation to Concrete Ceilings

ACC 203 (Alligator® concrete anchors) are recommended.

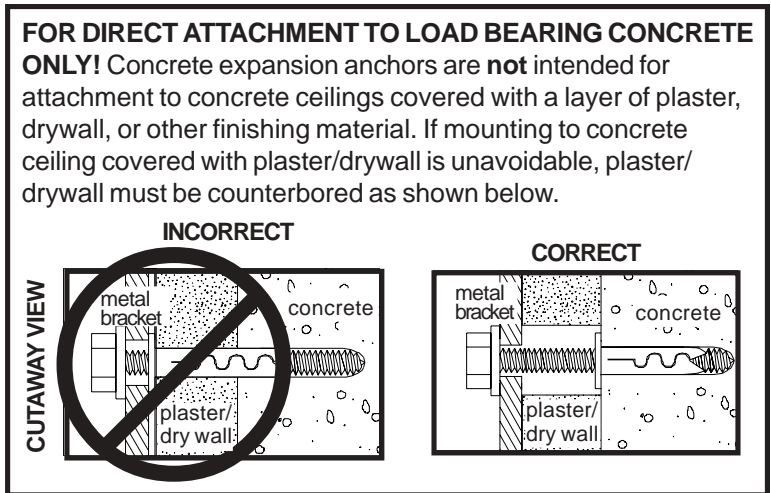
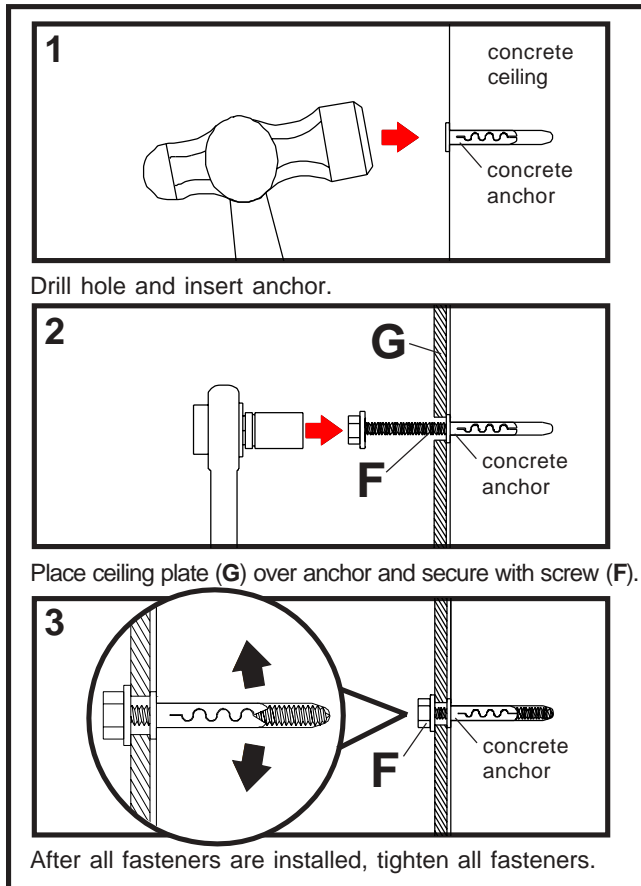
**2** *Warning:* It is the responsibility of the installer to verify that the ceiling will safely support the combined load of all attached hardware and components.

Drill two 1/4" (6 mm) dia. holes to a minimum depth of 2.5" (64 mm). Attach ceiling plate (G) using two concrete anchors and #14 x 2.5" wood screws (F) as shown in **Illustration A** and **1**, **2**, and **3** (below). Tighten all fasteners.

*Warning:* Do not tighten with excessive force. Over tightening can cause stress damage to wood screws (F) greatly reducing their holding power. Tighten to 80 in • lb (9 N.M.) maximum torque.



**Illustration A**

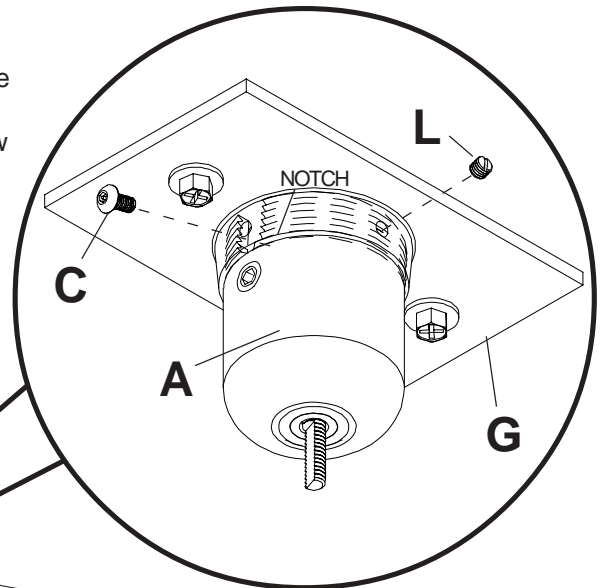
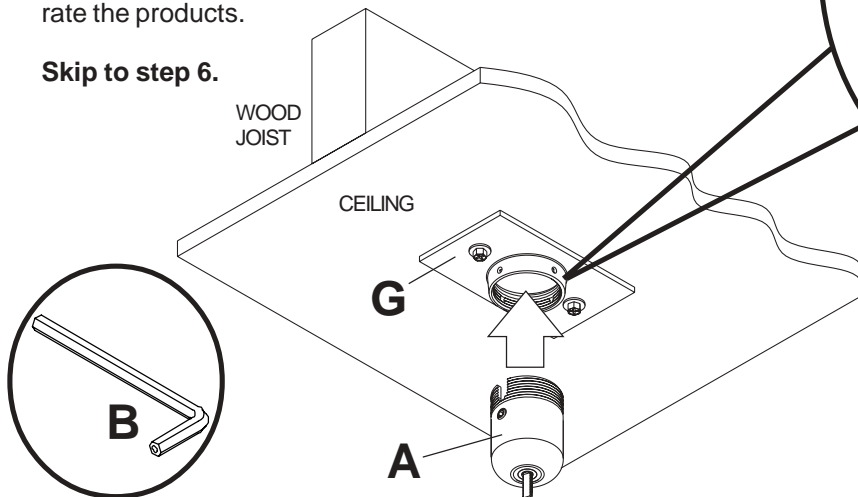


# Flush Mount Application

**3** Screw ball and socket assembly (A) into ceiling plate (G). Align the notch with one of the four holes of the ceiling plate (G) and secure ball and socket assembly (A) with a M5 x 10 mm socket pin screw (C) using security allen wrench (B) as shown in detail 1.

**Note:** Slotted set screw (L) is used to jam against the threads of the ball and socket mount to prevent any excess movement of the ball and socket mount (A). Do not over tighten screw; over tightening screw will damage threads making it difficult to separate the products.

Skip to step 6.



DETAIL 1

# Installation to Threaded Rod

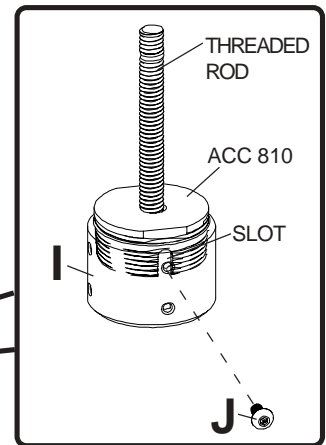
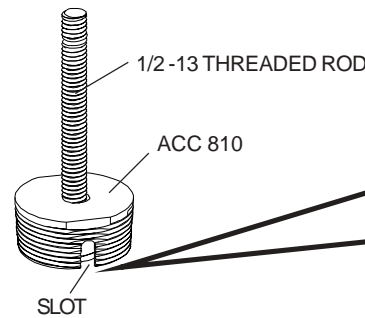
**Accessory ACC 810, threaded rod adapter, is required. (Sold Separately)**

**4** Screw ACC 810 into extension column connector (I). Align slot in ACC 810 with one of the top holes in extension column connector (I). Insert and tighten one 10-32 x 3/8 socket pin screw (J) through extension column connector (I) into slot on ACC 810 using 4 mm security allen wrench (B). See detail 2.

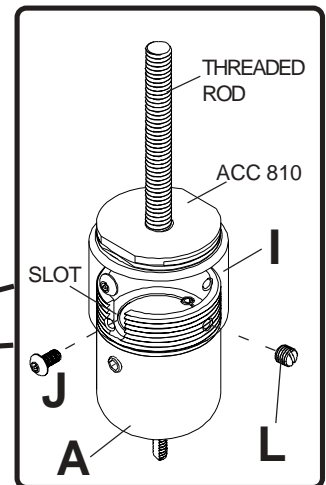
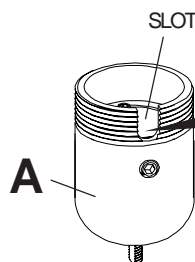
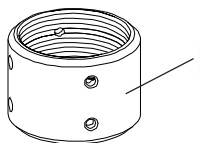
Align slot in ball and socket mount (A) to one of the bottom holes in extension column connector (I). Insert and tighten one 10-32 x 3/8 socket pin screw (J) through extension column connector (I) into slot in ball and socket mount (A). See detail 3.

**Note:** Slotted set screw (L) is used to jam against the threads of the ball and socket mount to prevent any excess movement of the ball and socket mount (A). Do not over tighten screw; over tightening screw will damage threads making it difficult to separate the products.

Skip to step 6.



DETAIL 2



DETAIL 3

# Installation to Extension Column

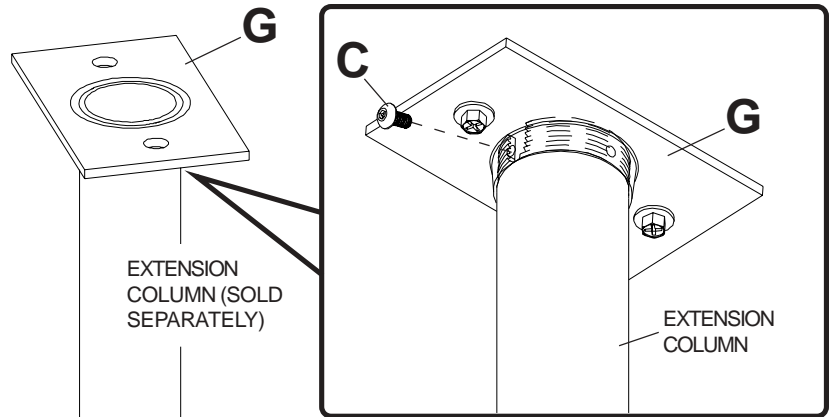
**5** Screw extension column to ceiling plate (**G**). Align the notch with one of the four holes in the ceiling plate (**G**) and secure extension column with a M5 x 10 mm socket pin screw (**C**) using security allen wrench (**B**). **See detail 4.**

Screw extension column connector (**I**) to extension column. Align slot in extension column with one of the top holes in extension column connector (**I**). Insert and tighten one 10-32 x 3/8 socket pin screw (**J**) through extension column connector (**I**) into slot on extension column using security allen wrench (**B**). **See detail 5.**

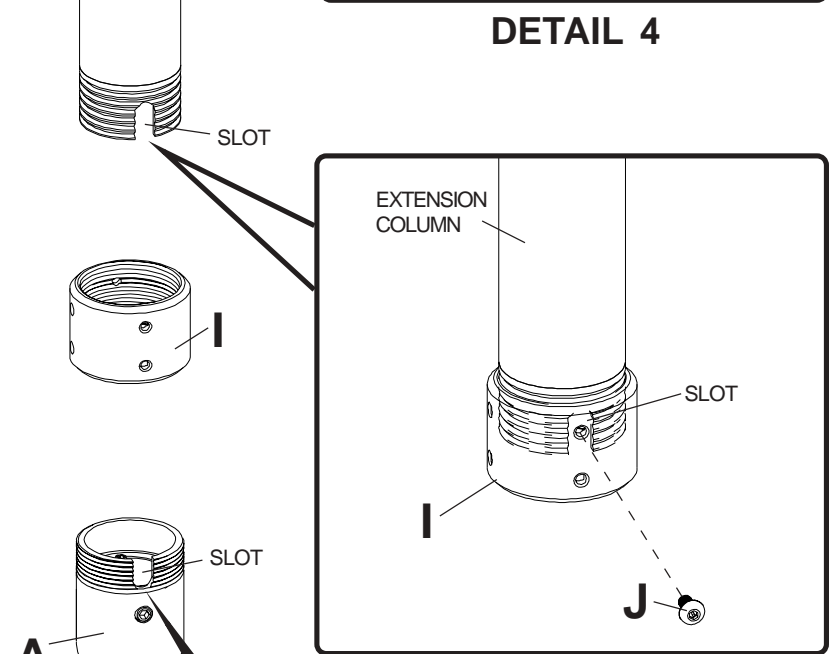
Screw ball and socket mount (**A**) to extension column connector (**I**). Align slot in ball and socket mount (**A**) to one of the bottom holes in extension column connector (**I**). Insert and tighten one 10-32 x 3/8 socket pin screw (**J**) through extension column connector into slot in ball and socket mount (**A**) using security allen wrench (**B**).

**Note:** Slotted set screw (**L**) is used to jam against the threads of the ball and socket mount to prevent any excess movement of the ball and socket mount (**A**). Do not over tighten screw; over tightening screw will damage threads making it difficult to separate the products.

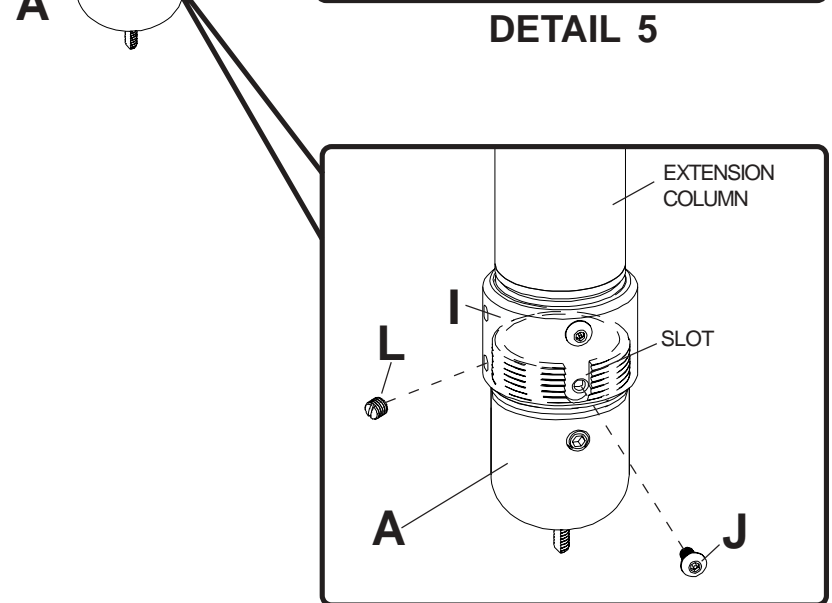
**Skip to step 6.**



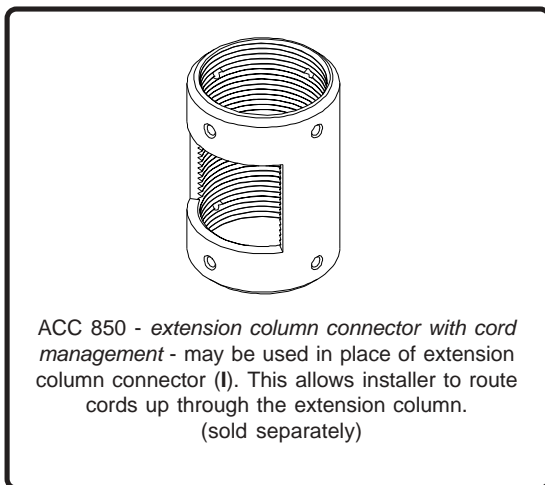
**DETAIL 4**



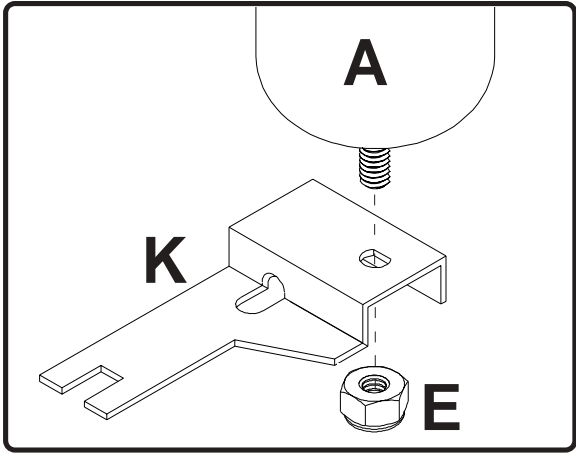
**DETAIL 5**



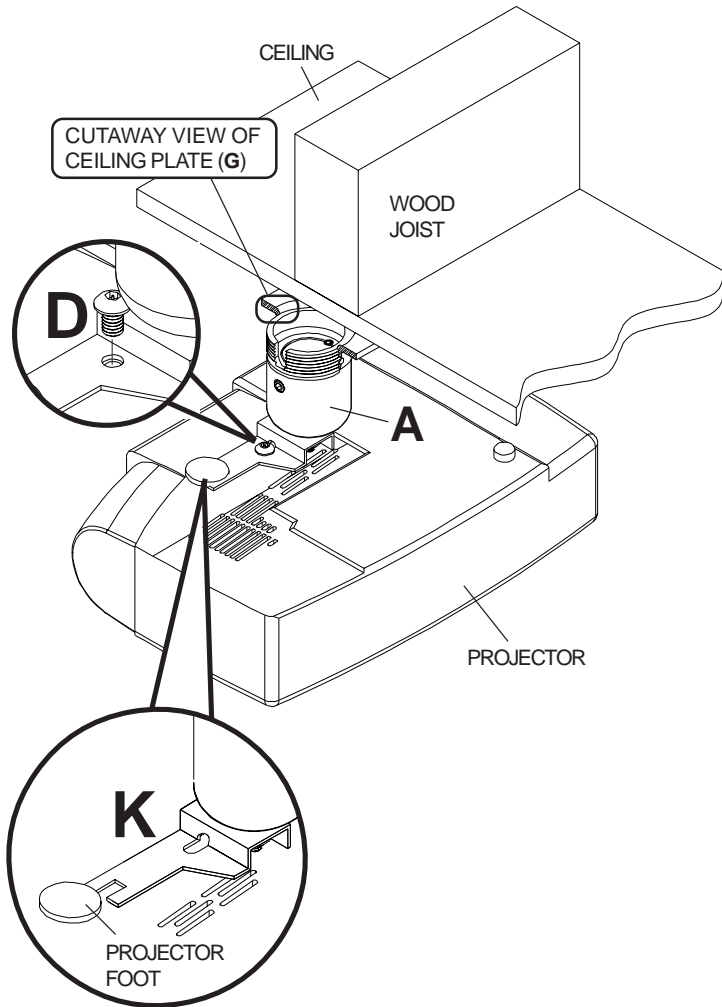
**DETAIL 6**



- 6** Attach bracket (K) to ball and socket assembly (A) using 1/4 - 20 nylock nut (E).



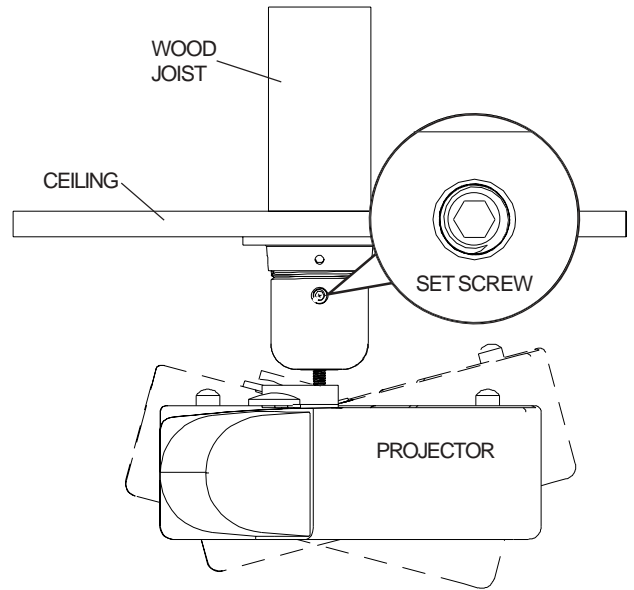
Press button on side of projector to lift projector foot. Slide bracket (K) just under the tip of the projector foot. It must be above the teeth on the foot (otherwise the bracket will not fit over the leg). Push foot down. Secure bracket (K) with 1/4 - 20 socket pin screw (D).



- 7** To adjust roll, pitch, and yaw loosen the set screw (shown below) using security allen wrench (B) or standard 4 mm allen wrench. You should be able to just slightly loosen the screw so that your adjustments can be set without having to hold the projector. Move projector to desired position and slowly tighten set screw.

**Notes:**

- Be sure not to touch the projector while tightening the set screw. This may cause the image to be unaligned when you let go.
- Security allen wrench (B) is your key for projector removal. Store it in a safe place.



## **PEERLESS LIMITED WARRANTY**

Peerless warrants its products, under normal use, to be free from defects in material and workmanship for a period of five years from the date of purchase. Peerless, at its sole discretion, will repair or replace such defective equipment free of charge provided the products are returned prepaid to Peerless. Thereafter, repairs will be made at established factory prices. Unauthorized service or repairs by anyone other than authorized Peerless personnel renders this Warranty void and releases Peerless from any further responsibility or obligation. Any damage caused by failure to observe proper packing or to observe instructions for installation, by accident or in transit or elsewhere will not be covered by the Warranty. This Warranty is in lieu of all other Warranties expressed or implied, and no one is authorized to assume any liability on behalf of Peerless or impose any obligation on it in connection with the sale of any product other than as outlined above. In no event will responsibility be assumed or implied for consequential damages arising from the theft of any product secured by a Peerless security device, by delay of installation, interrupted operation or other causes.